



CALL FOR UTAH ARTISTS

SALT LAKE CITY 337 POCKET PARK

Public art projects at 337 South 400 East

APPLICATION DEADLINE: Tuesday, March 14th by 5:00 pm

COMMISSION BUDGET: \$500 per commission. 24 available commissions.

PROJECT BACKGROUND

A two-story residential building once located at 337 South 400 East was under private ownership and scheduled for demolition in the summer of 2007. Prior to being demolished, property owner Adam Price invited over 100 artists of various disciplines to fill the 25,000-square-foot structure with art. The building, full from floor to ceiling with paintings, murals, sculptures and installations, received thousands of visitors and became a visual arts hub before it was destroyed. Later the vacant lot was sold to Salt Lake City Corporation and in 2015 a portion of the land was developed into a community garden managed by Wasatch Community Gardens. Salt Lake City Parks and Public Lands has recently decided to create a pocket park west of the garden that will lead pedestrians from the sidewalk on 400 East to the garden and will also function as an inviting and engaging gathering place for the community. As a nod to the site's art-infused history, the fence that will surround the pocket park has been designed to contain 24, 3'x3', .25" thick, corten steel panels that will be laser cut with artists' designs.

OVERALL PROJECT GOALS

The Salt Lake Art Design Board seeks site-specific artwork that:

- Is unique;
- Is visually engaging for passersby and those who use and visit the pocket park;
- Is reflective of Salt Lake City's vibrant and diverse artistic community;
- Is at least 50% transparent when laser cut on Corten steel;
- Limits openings or perforations (negative space) to be less than 3.5" wide or greater than 9" wide to prevent child head entrapment;
- Meets all public safety, structural, and maintenance standards and complies with the Americans for Disabilities Act (ADA).

PROJECT BUDGET & ELIGIBILITY

The total commission for each of the fence panels is **\$500** and inclusive of artist's fees and related expenses for design and supplies. Artist is responsible for submitting final design and for giving input and/or making necessary design changes during the fabrication process. Any fees incurred while creating the design/artwork shall be the responsibility of the artist. Salt Lake City will manage the fabrication process and will consult the artist during fabrication.

The *Call for Artists* is open to all professional artists or artist-led teams residing in Utah. Artists may submit up to three designs. Artists may be selected for more than one commission. Salt Lake City Corporation will determine the placement of each fence panel on the fence.

SELECTION CRITERIA & PROCESS

The Salt Lake Art Design Board, in consultation with project partners/managers, will review all of the properly submitted applications and will recommend artists/teams for the 24 fence panel commissions to the Mayor for final approval.

In selecting artists/teams for this project the following criteria will be considered:

- Final artwork that is one-of-a-kind, site specific and meets the project goals.
- Artistic excellence, innovation and originality as evidenced by submitted design.
- The artist's final work meets public safety requirements.

The artists selected for the commissions will sign a contract with Salt Lake City.

APPLICATION REQUIREMENTS

Submissions that arrive on or before 5:00 p.m. on Tuesday, March 14, 2017 and meet all of the application requirements will be reviewed. Late applications will not be accepted. To be considered for this project, applicants must submit all of the required materials in the format identified below on a flash drive labeled with applicant's name. DVDs, CDs, paper copies and electronic submissions will not be accepted. Applicants' materials will not be returned. Follow the format below for your documents and images.

1. **LETTER OF INTEREST**

(first name_last name.letterofinterest.pdf) 1 page describing the applicant's interest in the project.

2. **PROPOSAL**

(first name_last name.proposal.pdf AND first name_lastname.proposal.ai)

Although the final artwork may change slightly to fit the requirements of the project and fabrication needs, the initial submission should reflect the artist's final concept.

- a. Artists must submit a black and white, visual rendering to scale with 3'x3' dimensions (see example at the end of this Call for Artists). All designs must contain minimum 50% transparency (negative space). Any openings or perforations (negative space) must be less than 3.5" wide or greater than 9" wide to prevent child head entrapment. All artists must clearly label negative and positive space on their images. Laser cuts will penetrate completely through the steel to reveal artists' designs. No floating positive shapes will be permitted unless tabbing can occur. Artist must submit **TWO** renderings of each design in two file types-a pdf and a vector-based Adobe Illustrator (.ai) file.

3. **CURRENT RÉSUMÉ (first name_last name.resume.pdf)** Maximum of 2 pages per person.

Mail or deliver applications to:

Salt Lake City Arts Council
337 Project Pocket Park
54 Finch Lane
Salt Lake City, UT 84102
Hours: M - F, 9 a.m. to 5 p.m.

Contact:

Dana Hernandez
801-596-6511

Dana.Hernandez@slcgov.com

PROJECT SCHEDULE:

Application Deadline - Tuesday, March 14, 2017, 5:00pm
Notification of Artist Selection - April 2017

Contract Preparation - April 2017
Fabrication - May-June 2017
Installation of Fence - July 2017

Dates are subject to change except the application deadline of Tuesday, March 14, 2017.

SALT LAKE CITY PUBLIC ART PROGRAM

The Public Art Program, which commissions artists' work for City-owned buildings and public spaces, was established by ordinance in 1984. The Salt Lake Art Design Board is an advisory group of citizens representing different City Council districts, appointed by the Mayor and confirmed by the City Council, to oversee Salt Lake City's public art program. They are selected for their related arts expertise and willingness to serve the community. The Design Board is directed, by ordinance, to select artists for public art commissions in Salt Lake City and recommend those artists to the Mayor for final approval. The current Design Board members include Libby Haslam, Jann Haworth, Alexander Huggins, Helen Peters, and Larissa Trout. The Design Board will consult with representatives from SLC Divisions of Engineering and Parks and Public Lands to help inform their artist/team selection for this project.

SALT LAKE CITY CORPORATION ADDITIONAL POLICIES

The artists/teams selected for the commission will sign a two-party Artists' Commissioned Work Agreement with Salt Lake City Corporation.

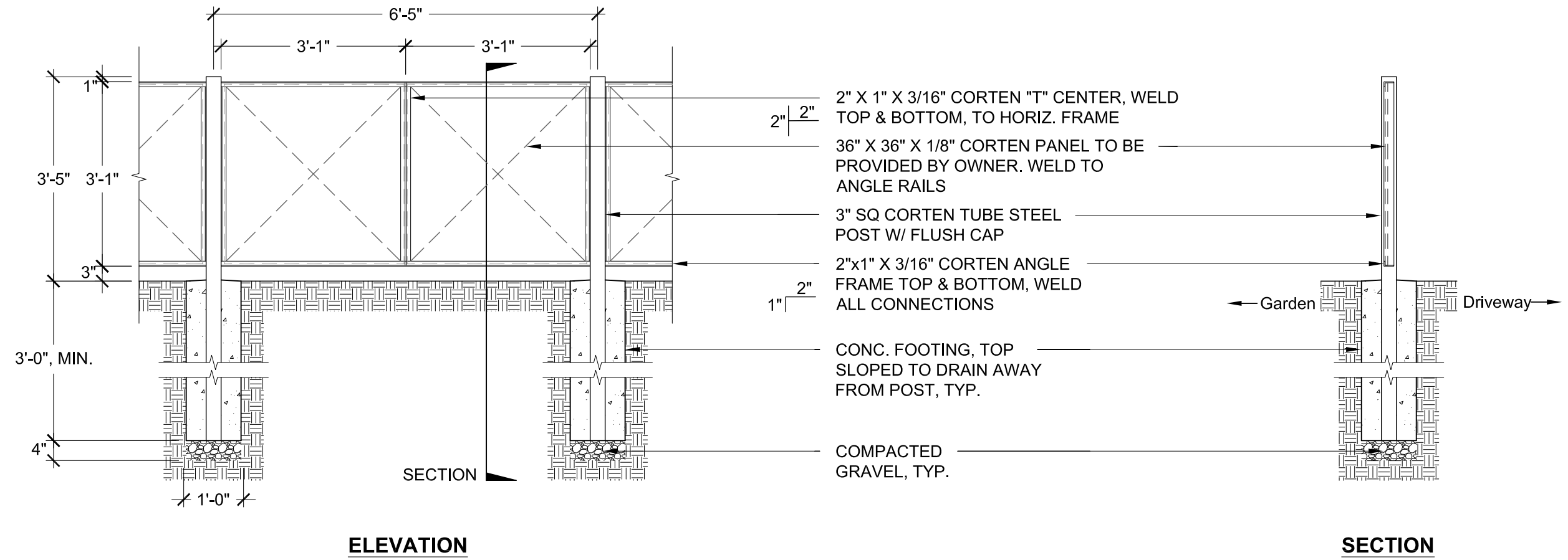
The City may accept *Call for Artists (CFA)* submittals as deemed to be in the public interest; proceed with further selection processes; reject any and all submissions; or may waive any irregularity, informality, or technicality in proposals received. The Mayor, based on the Art Design Board's recommendation, will determine from the submitted information the most qualified Proposer to meet the stated duties as evaluated under the criteria set forth herein. The determination of the most advantageous proposal shall be final and conclusive.

The issuance of the *CFA* and the receipt and evaluation of the submittals does not obligate the City to select a Proposer or enter into any agreement. A submittal does not constitute business terms under any eventual agreement. The City will not pay costs incurred in responding to the *CFA* unless specified in the *CFA*. The City may cancel this process at any time prior to the execution of any agreement without liability.

The City reserves the right to revise the *CFA* evaluation process. Such revision will be announced in writing to all *CFA* respondents or short-listed teams, depending on the timing of the change. The City also reserves the right to reject any and all *CFA* responses at any time, or to terminate any negotiations implied in this *CFA* or initiated subsequent to it. If the Art Design Board receives a submittal it deems incomplete or ambiguous, it reserves the right to request additional information or to reject the submittal.

The City reserves the right to, at any time and for any reason, discontinue negotiations with any initially selected Proposer, and to pursue negotiations with an alternative team.

Proposers or their agents are instructed not to contact Art Design Board members, City officials or employees or attempt to externally manipulate or influence the procurement process in any way, other than through the instructions contained herein, from the date of release of this *CFA* to the date of execution of an Agreement resulting from this solicitation. City, in its sole discretion, may disqualify Proposers who violate this paragraph.



NOTE: POSTS AND FRAME TO HAVE SANDBLAST FINISH AND GRIND ALL WELDS SMOOTH. SUBMIT SHOP DRAWINGS AND STRUCTURAL CALCULATIONS FOR APPROVAL.

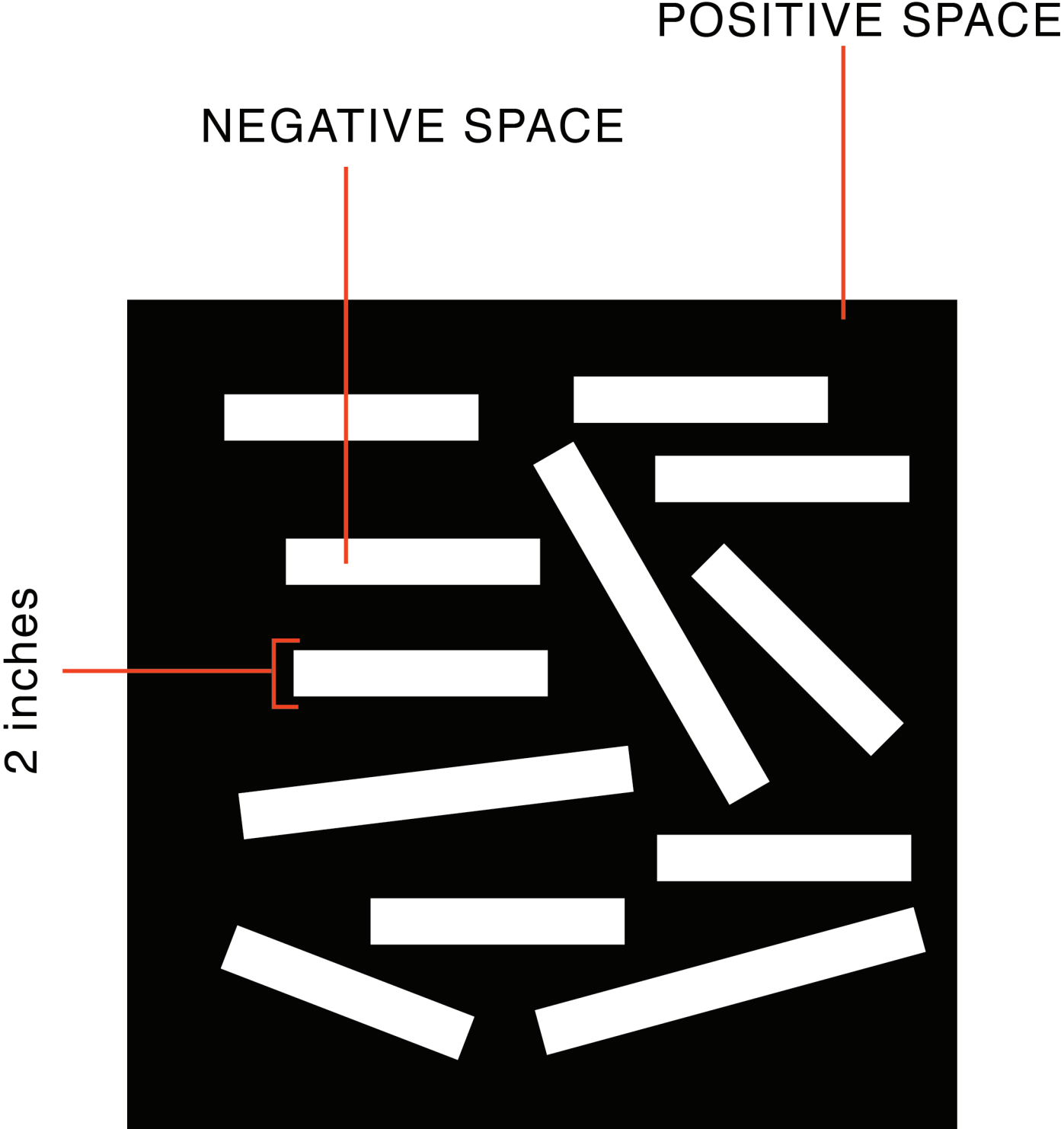
9

COR-TEN ART FENCE FRAME

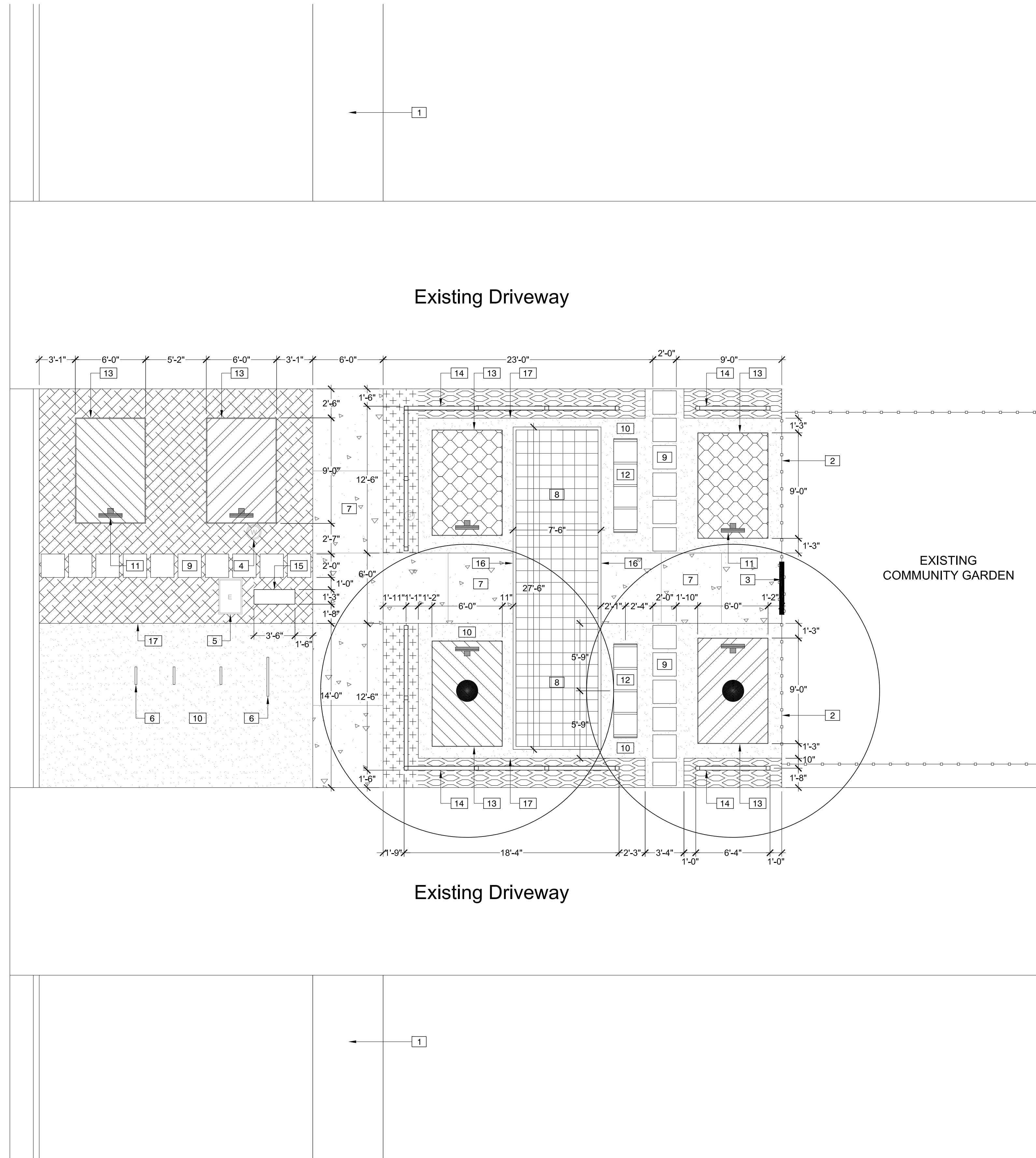
1/2" = 1'-0"

P-CG-SITE-11

3'x3' corten steel fence panel rendering example



400 East



PLANT SCHEDULE

TREES	CODE	BOTANICAL NAME / COMMON NAME	CONT	CAL
	CER CAN	CERCIS CANADENSIS / EASTERN REDBUD	B & B	2" CAL
PERENNIAL AREAS	CODE	BOTANICAL NAME / COMMON NAME	CONT	SPACING
	CER TOM	CERASTIUM TOMENTOSUM 'SILVER CARPET' / SNOW IN SUMMER	1 GAL	15" o.c.
	FES SIS	FESTUCA IDAHOENSIS 'SISKIYOU BLUE' / SISKIYOU BLUE FESCUE	1 GAL	15" o.c.
	HEM MIX	HEMEROCALLIS 'MIX' / DAYLILY	1 GAL	18" o.c.
	BEE POLLINATOR MIX 1	ACHILLEA MILLEFOLIUM / COMMON YARROW ECHINACEA PURPUREA / CONEFLOWER LAVANDULA ANGUSTIFOLIA / ENGLISH LAVENDER	106 SF	
	BEE POLLINATOR MIX 2	FOENICULUM VULGARE / FENNEL LOBULARIA MARITIMA / SWEET ALYSSUM PENSTEMON EATONII / FIRECRACKER PENSTEMON SALVIA OFFICINALIS / GARDEN SAGE	106 SF	
	U PICK IT (BY OTHERS)		107 SF	

REFERENCE NOTES SCHEDULE

SYMBOL	DESCRIPTION	DETAIL
1	EXISTING WALK	
2	EXISTING FENCE	
3	EXISTING GATE	
4	EXISTING WATER METER	
5	EXISTING UTILITY BOX	
6	EXISTING BIKE RACK, TYP.	
7	NEW CONCRETE WALK	1/DT101
8	PAVERS - TO BE PROVIDED BY ARTIST & INSTALLED BY CONTRACTOR	3/DT101
9	24" X 24" X 2" CONCRETE STEPPING PAVER, TYP.	4/DT101
10	CRUSHED STONE PAVING, TYP.	5/DT101
11	INTERPRETIVE SIGN TYP.	8/DT101
12	NEW BENCH+ FORMS+SURFACES, VECTOR SERIES 8-FOOT BACKLESS CONFIGURATION WITH SEAT DIVIDERS; SLATE TEXTURE POWERDERCOATED FRAME AND FSC 100% JATоба HARDWOOD SLATS. EMBED FOOTINGS IN SUBSTRATE PER MANUFACTURER'S RECOMMENDATIONS.	10/DT101
13	COR-TEN STEEL PLANTER	7/DT101
14	COR-TEN ART FENCE FRAME TYP.	9/DT101
15	STONE MARKER REMNANT WITH GARDEN NAME ENGRAVED - STONE TO BE PROVIDED BY WASATCH COMMUNITY GARDENS	
16	3" CONCRETE BAND AROUND PLAZA PAVERS	3/DT101
17	COR-TEN STEEL EDGING, TYP.	6/DT101

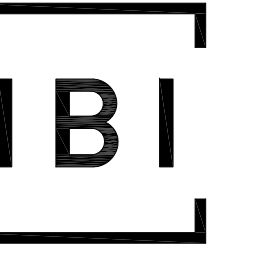
LANDSCAPE DIMENSION AND LAYOUT NOTES:

1. THE CONTRACTOR MUST FIELD VERIFY ALL LOCATIONS, ELEVATIONS, AND DIMENSIONS STATED GRAPHICALLY AND IMPLIED BY SCALE OR NOTES. CHECK ALL PROPERTY CORNER MARKERS AND PROPERTY LINES FOR PLAN COMPLIANCE BEFORE BEGINNING CONSTRUCTION. THE CONTRACTOR SHALL STAKE PROPOSED CONSTRUCTION ELEMENTS IN THE FIELD PRIOR TO INSTALLATION, AND NOTIFY THE OWNER'S REPRESENTATIVE OF ANY CONFLICTS OR DISCREPANCIES WITH EXISTING FIELD CONDITIONS OR DESIGN INTENT. ALL PROPOSED EDGING LINES SHALL BE STAKED AND SET TO A STRING LINE TO INSURE PROPER POSITION, ALIGNMENT, AND STRAIGHTNESS.
2. WRITTEN DIMENSIONS SHALL PREVAIL OVER SCALED DIMENSIONS. DIMENSIONS ARE REFERENCED PARALLEL OR PERPENDICULAR TO SURFACES, STRUCTURES, OR SITE ELEMENTS, AND ARE TO BACK OF CURB OR FACE OF WALL UNLESS OTHERWISE INDICATED ON THE PLANS.
3. LAYOUT SHALL BE VERIFIED AND APPROVED IN FIELD BY LANDSCAPE ARCHITECT PRIOR TO INSTALLATION.
4. CONSTRUCTION STAKING TO BE PROVIDED BY THE CONTRACTOR. A DIGITAL FILE OF THE LAYOUT PLAN WILL BE PROVIDED TO THE CONTRACTOR UPON REQUEST.

GRADING AND DRAINAGE NOTES:

1. THE CONTRACTOR SHALL BE RESPONSIBLE FOR FINE GRADING OF ALL AREAS AND TO ENSURE POSITIVE DRAINAGE OF A MINIMUM 2% AWAY FROM STRUCTURES AND BUILDINGS. ALL NEW HARDSCAPE AND PAVING SHALL BE SLOPED TO PROVIDE APPROPRIATE DRAINAGE OF ALL SURFACES AND TO COINCIDE WITH EXISTING GRADES. MATCH ALL PROPOSED IMPROVEMENTS TO EXISTING ADJACENT GRADES. DRAINAGE TO EXISTING BASINS SHALL BE MAINTAINED.
2. NO TOPOGRAPHIC SURVEY IS AVAILABLE. IT IS THE RESPONSIBILITY OF THE CONTRACTOR TO FIELD VERIFY ALL EXISTING GRADES AND ELEVATIONS, AND TO ENSURE THAT ALL IMPROVEMENTS WILL SLOPE TO DRAIN. ALL ELEVATIONS OF PROPOSED IMPROVEMENTS SHALL BE SET AND VERIFIED IN FIELD.
3. CONCRETE SHALL HAVE 1% MIN. AND 5% MAX. SLOPE, WITH 2% MAX. CROSS SLOPE.

PREPARER:



IBI GROUP
10 EXCHANGE PLACE, SUITE 112
SALT LAKE CITY, UT 84111
T: 801.532.4233 F: 801.532.4231

PREPARER CONSULTANTS:

PROFESSIONAL SEAL:



PROJECT IDENTIFICATION:

337 COMMUNITY GARDEN

CONSTRUCTION DRAWINGS

This drawing, as an instrument of service, is the property of the Architect/Engineer and may not be reproduced without their permission and unless the reproduction carries their name. All design and other information shown on this drawing are for the use on the specified project only and shall not be used otherwise without written permission of the Architect/Engineer.

Written dimensions shall have precedence over scaled dimensions. Contractors shall verify and be responsible for all dimensions and conditions on the job and the Architect/Engineer shall be informed of any variations from the dimensions and conditions shown on the drawing. Shop drawings shall be submitted to the Architect/Engineer for approval before proceeding with fabrication.

PROJECT OWNER:

SALT LAKE CITY CORPORATION

349 SOUTH 200 EAST SUITE 100
SALT LAKE CITY, UT 84111
P 801.535.7951
F 801.535.6093
WWW.SL.CGOV.COM/ENGINEERING

MARK	DATE	DESCRIPTION

PREPARER #: IBI
CONTRACT #: --
PROJECT #: 103568
FILE #:
DRAWING FILE:
DRAWN BY: HP/TK
CHECKED BY: DN
COPYRIGHT:
DATE: 12/22/2016

SHEET TITLE:

LAYOUT & MATERIALS PLAN

SHEET IDENTIFIER:

LS101

BINDING ORDER 2 OF 6

